

Linear Power Systems

Pte Ltd

Marine Power Catalog

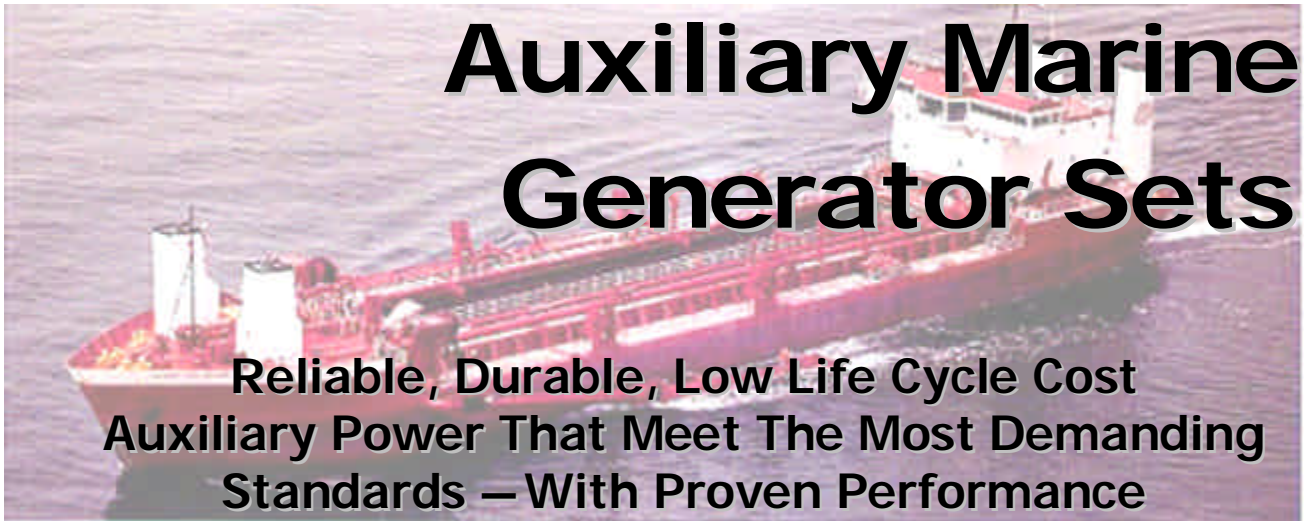
Classed Solutions for propulsion and auxiliary power



Linear Power Systems Pte. Ltd.

322D King George's Avenue • King George's Building • Singapore 208565
email: linearps@singnet.com.sg

Tel: (+65) 6291-0213 · Fax: (+65) 6293-3937



Introducing the lineup

Model	Speed (rpm)	50Hz	60Hz	Weight Dry (kg)	L x W x H mm
		Output Kw Prime			
LPS/M 35	1500/1800	30	35	780	1570 x 770 x 1200
LPS/M 52	1500/1800	45	52	810	1670 x 770 x 1200
LPS/M 80	1500/1800	65	80	1065	1900 x 770 x 1200
LPS/M 100	1500/1800	80	100	1110	2000 x 770 x 1200
LPS/M 125	1500/1800	110	125	1400	2500 x 930 x 1400
LPS/M 170	1500/1800	145	170	1500	2500 x 930 x 1400
LPS/M 225	1500/1800	185	225	2750	2850 x 1000 x 1565
LPS/M 240	1500/1800	205	240	2750	2850 x 1000 x 1565
LPS/M 260	1500/1800	215	260	2750	2850 x 1000 x 1565
LPS/M 280	1500/1800	225	280	3020	3015 x 1000 x 1585
LPS/M 320	1500/1800	275	320	3120	3100 x 1000 x 1585
LPS/M 360	1500/1800	310	360	4270	3120 x 1030 x 1815
LPS/M 410	1500/1800	360	410	4550	3120 x 1090 x 1815
LPS/M 450	1500/1800	405	450	4960	3120 x 1030 x 1815
LPS/M 540	1500/1800	500	540	5650	3800 x 1320 x 2000
LPS/M 700	1500/1800	580	700	7000	4300 x 1400 x 2200
LPS/M 750	1500/1800	620	750	7000	4300 x 1400 x 2200
LPS/M 850	1500/1800	750	850	7700	4400 x 1360 x 2200
LPS/M 940	1500/1800	820	940	7700	4400 x 1360 x 2200
LPS/M 1160	1500/1800	1040	1160	9100	4700 x 1480 x 2300

CLASSIFIED SOLUTIONS FOR THE MARINE INDUSTRY

All dimensions and ratings are approximate and may vary depending on engine configuration.

Linear Power Systems Pte. Ltd.

322D King George's Avenue • King George's Building • Singapore 208565

email: linearps@singnet.com.sg

Tel: (+65) 6291-0213 • Fax: (+65) 6293-3937

Gensets are fully classed to major classification societies.

Common Features (subject to engine rating)

Front End Drive	Crank mounted groove pulley or enclosed clutch drive capacity (varies with engine model)
Engine Mounting	Front and rear pad type supports
Flywheel and flywheel housing	SAE housing and flywheel coupling arrangement
Air Intake System	Normal or heavy duty air cleaner
Exhaust Manifold	Water cooled (varies with engine model)
Exhaust System Accessories	90° elbow
Alternator	12 or 24 volt complete with integral voltage regulator
Starter	12 or 24 volt or pneumatic
Oil Filter	Spin-on filter
Oil Drain	Hand operated or rotary lube oil sump
Cooling System	Keel cooling or heat exchanger with copper nickel tube bundle mounted. Single belt driven or self-priming gear driven sea-water pump.
Engine Governing	Cummins EFC; Barber Coleman, Woodward. Hydraulic or electric
Alternator	Synchronous revolving field, single bearing, salient 4-pole, brushless, drip proof construction, 90°C temperature rise prime power
UCM or HCM	Design rating – class H insulation per NEMA MG1-1.65 and BS2757. The main alternator and exciter insulation systems are impregnated for operation in severe marine environment where salt air, sea spray, chemical corrosion and engine room conditions are installation factors
Stator	Skewed stator and 2/3 pitch windings minimize field heating and voltage harmonics
Rotor	Dynamically balanced assembly. Direct coupled to engine by flexible drive disc. Complete amortisseur (damper) windings reduce voltage deviations and heating effects under unbalanced loads
Instrumentation	Water temp, Oil Pressure and Tachometer mounted on a local operating panel. Warning and shutdown for overspeed.

Marine auxiliary generator set can be certified to major classification authorities. Please specify with order.



Linear Power Systems Pte. Ltd.

322D King George's Avenue • King George's Building • Singapore 208565
email: linearps@singnet.com.sg

Tel: (+65) 6291-0213 · Fax: (+65) 6293-3937

LPS/M 35KW-52KW Marine Generator set

Engine Specifications		LPS/M 35		LPS/M 52	
Model		LPS/M 35		LPS/M 52	
Engine Configuration		In Line 4 Cylinder 4 Stroke Diesel			
Bore & Stroke		102mm X120mm			
Displacement		5.9liters			
Aspiration		Normally Aspirated		Turbocharged	
Power Ratings					
Frequency		50	60	50	60
RPM		1500	1800	1500	1800
KW		30	35	45	52
Standard Equipment					
Engine		Cummins 4B3.9-D(M)		Cummins 4BT3.9-D(M)	
Alternator		UCM274D		UCM2274E	
Generator Set Dimensions		L1570		L 1670	
		W 770		W 770	
		H 1200		H 1200	
		Dry Weight: 780 kg (approx)		Dry Weight 810 kg (approx)	

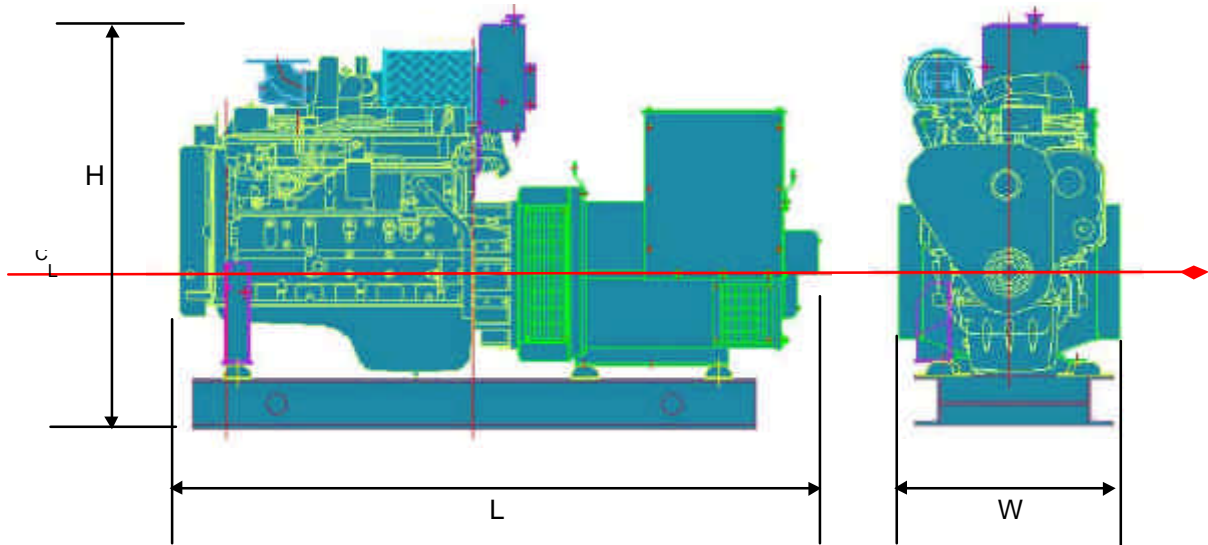
Linear Power Systems Pte. Ltd.

322D King George's Avenue • King George's Building • Singapore 208565
email: linearps@singnet.com.sg

Tel: (+65) 6291-0213 · Fax: (+65) 6293-3937

LPS/M 80KW-100KW Marine Generator set

Engine Specifications		LPS/M 80		LPS/M 100	
Model					
Engine Configuration		In Line 6 Cylinder 4 Stroke Diesel			
Bore & Stroke		102mm X120mm			
Displacement		5.9liters			
Aspiration		Turbocharged		Turbocharged & Aftercooled	
Power Ratings					
Frequency		50	60	50	60
RPM		1500	1800	1500	1800
KW		65	80	80	100
Standard Equipment					
Engine		Cummins 6BT5.9-D(M)		Cummins 6BTA5.9-D(M)	
Alternator		UCM274D		UCM2274E	
Generator Set Dimensions		L1900 W 770 H 1200 Dry Weight: 1065 kg (approx)		L 2000 W 770 H 1200 Dry Weight 1110 kg (approx)	



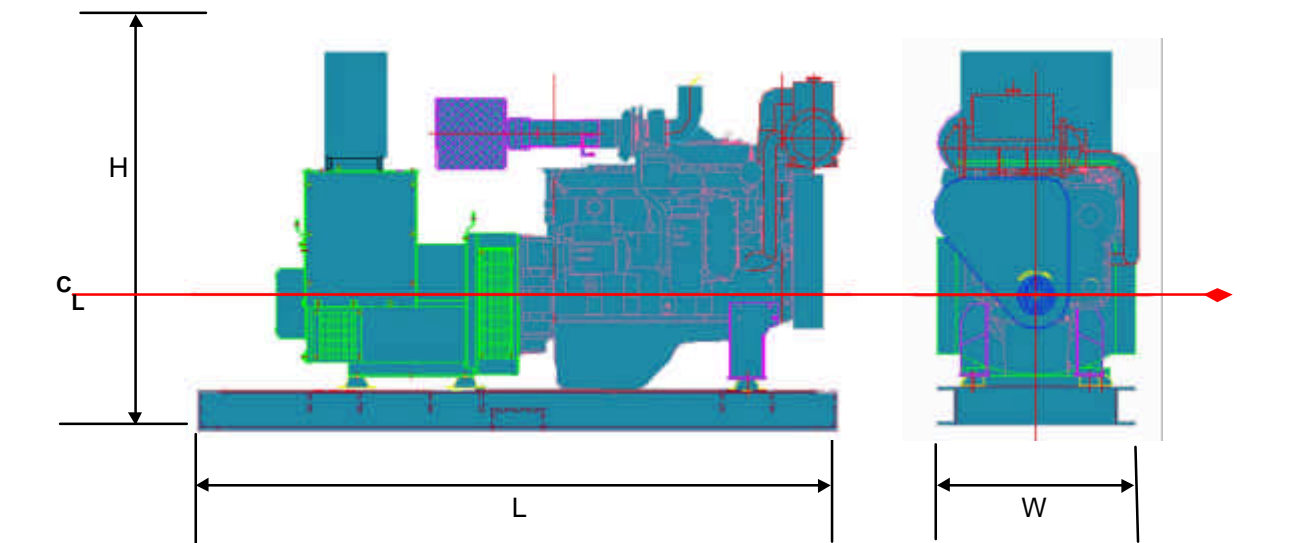
Linear Power Systems Pte. Ltd.

322D King George's Avenue • King George's Building • Singapore 208565
email: linearps@singnet.com.sg

Tel: (+65) 6291-0213 · Fax: (+65) 6293-3937

LPS/M 125KW-170KW Marine Generator Set

Engine Specifications					
Model	LPS/M 125		LPS/M 170		
Engine Configuration	In Line 6 Cylinder 4 Stroke Diesel				
Bore & Stroke	102mm X120mm				
Displacement	5.9liters				
Aspiration	Turbocharged		Turbocharged & Aftercooled		
Power Ratings					
Frequency	50	60	50	60	
RPM	1500	1800	1500	1800	
KW	110	125	145	170	
Standard Equipment					
Engine	Cummins 6CT8.3-D(M)		Cummins 6CTA8.3-D(M)		
Alternator	UCM274G		UCM434C		
Generator Set Dimensions	L 2500 W 930 H 1400 Dry Weight 1400 kg (approx)		L 2500 W 930 H 1400 Dry Weight 1500 kg (approx)		



Linear Power Systems Pte. Ltd.

322D King George's Avenue • King George's Building • Singapore 208565
email: linearps@singnet.com.sg

Tel: (+65) 6291-0213 · Fax: (+65) 6293-3937

LPS/M 225KW-320KW Marine Generator Set

Engine Specifications										
Model	LPS/M 225		LPS/M 240		LPS/M 260		LPS/M 280		LPS/M 320	
Engine Configuration	In Line 6 Cylinder 4 Stroke Diesel									
Bore & Stroke	102mm X120mm									
Displacement	5.9liters									
Aspiration	Turbocharged					Turbocharged & Aftercooled				
Power Ratings										
Frequency	50	60	50	60	50	60	50	60	50	60
RPM	1500	1800	1500	1800	1500	1800	1500	1800	1500	1800
KW	185	225	205	240	215	260	225	280	275	320
Standard Equipment										
Cummins N series										
Engine	NT855-D(M)‡		NT855-D(M)‡		NT855-D(M)‡		NTA855-D(M)‡		NTA855-D(M)‡	
Alternator	HCM434E		HCM434E		HCM534E		HCM534C		HCM534C	
Generator Set Dimensions	L 2845		L 3100		L 3100		L 3100		L 3100	
	W 1000		W 1000		W 1000		W 1000		W 1000	
	H 1560		H 1585		H 1585		H 1585		H 1585	
	Weight dry 2750 kg (approx)		Weight dry 2750 kg (approx)		Weight dry 2750 kg (approx)		Weight dry 3020 kg (approx)		Weight dry 3120 kg (approx)	

‡ Indicates NON-IMO emissions rating

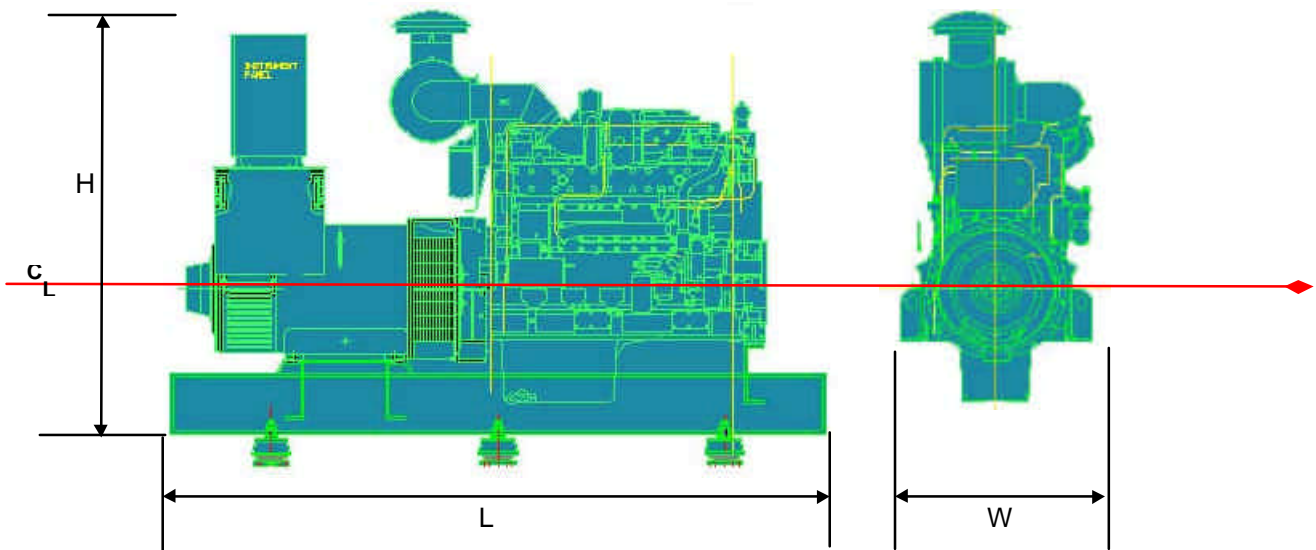
Linear Power Systems Pte. Ltd.

322D King George's Avenue • King George's Building • Singapore 208565
 email: linearps@singnet.com.sg

Tel: (+65) 6291-0213 · Fax: (+65) 6293-3937

LPS/M 360KW-450KW Marine Generator Set

Engine Specifications		LPS/M 360		LPS/M 410		LPS/M 450	
Model							
Engine Configuration		In Line 6 Cylinder 4 Stroke Diesel					
Bore & Stroke		159mm X 159mm					
Displacement		19 Liters					
Aspiration		Turbocharged & Aftercooled					
Power Ratings							
Frequency		50	60	50	60	50	60
RPM		1500	1800	1500	1800	1500	1800
KW		310	360	360	410	405	450
Standard Equipment							
Engine		Cummins KTA19-D(M)					
Alternator		HCM534D		HCM534E		HCM534F	
Generator Set Dimensions		L 3120		L 3120		L 3120	
		W 1030		W 1090		W 1030	
		H 1815		H 1815		H 1815	
		Weight Dry 4270 kg (approx)		Weight Dry 4550 (approx)		Weight Dry 4960 (approx)	



Linear Power Systems Pte. Ltd.

322D King George's Avenue • King George's Building • Singapore 208565
email: linearps@singnet.com.sg

Tel: (+65) 6291-0213 · Fax: (+65) 6293-3937

LPS/M 540KW Marine Generator Set

Engine Specifications		
Model	LPS/M 540	
Engine Configuration	12 cylinder V 4 stroke diesel	
Bore & Stroke	140 mm x 152mm	
Displacement	28 liters	
Aspiration	Turbocharged and aftercooled	
Power Ratings		
Frequency	50	60
RPM	1500	1800
KW	500	540
Standard Equipment		
Engine	Cummins VTA28-D(M)	
Alternator	HCM634G	
Generator Set Dimensions	L 3800 W 1320 H 2000 Weight Dry 5650 kg (approx)	

Linear Power Systems Pte. Ltd.

322D King George's Avenue • King George's Building • Singapore 208565
email: linearps@singnet.com.sg

Tel: (+65) 6291-0213 · Fax: (+65) 6293-3937

LPS/M 700KW-940KW Marine Generator Set

Engine Specifications									
Model		LPS/M 700		LPS/M 750		LPS/M 850		LPS/M 940	
Engine Configuration		12 cylinder V 4 stroke diesel							
Bore & Stroke		159 mm x 159 mm							
Displacement		38 liters							
Aspiration		Turbocharged and aftercooled							
Power Ratings									
Frequency		50	60	50	60	50	60	50	60
RPM		1500	1800	1500	1800	1500	1800	1500	1800
KW		580	700	620	750	750	850	820	940
Standard Equipment									
Engine		Cummins KTA38-D(M)							
Alternator		HCM634J		HCM634J		HCM734E		HCM734E	
Generator Set Dimensions		L 4300		L 4300		L 4400		L 4400	
		W 1400		W 1400		W 1360		W 1360	
		H 2200		H 2200		H 2200		H 2200	
		7000		7000		7700		7700	

Linear Power Systems Pte. Ltd.

322D King George's Avenue • King George's Building • Singapore 208565
email: linearps@singnet.com.sg

Tel: (+65) 6291-0213 · Fax: (+65) 6293-3937

LPS/M 1160KW Marine Generator Set

Engine Specifications		
Model	LPS/M 1160	
Engine Configuration	16 cylinder V 4 stroke diesel	
Bore & Stroke	159 mm x 159 mm	
Displacement	50 liters	
Aspiration	Turbocharged and aftercooled	
Power Ratings		
Frequency	50	60
RPM	1500	1800
KW	1040	1160
Standard Equipment		
Engine	Cummins KTA50-D(M)	
Alternator	HCM734E	
Generator Set Dimensions	4700	
	1480	
	2300	
	Weight Dry 9100 Kg (Approx)	

Linear Power Systems Pte. Ltd.

322D King George's Avenue • King George's Building • Singapore 208565
email: linearps@singnet.com.sg

Tel: (+65) 6291-0213 · Fax: (+65) 6293-3937

Systems can be classed to major certification body standards



Lloyd's Register



Linear Power Systems

Pte Ltd

Linear Power Systems Pte. Ltd.

322D King George's Avenue • King George's Building • Singapore 208565
email: linearps@singnet.com.sg

Tel: (+65) 6291-0213 · Fax: (+65) 6293-3937